

PA 252 ECO MKII



Owner's Manual

PASSIVE 2-WAY FULL RANGE SPEAKER

15/3"



the box

Intended use

This speaker box is exclusively meant for the reproduction of audio signals according to instructions and specifications given in this manual. We're not liable for any damage caused by unintended use.

Safety instructions

For your own safety you must read through this chapter *at first completely*, before you connect the device!



- Never submerge the speaker box in water. Liquid getting into the box will risk a short circuit and will be hazardous.
- Do not expose the speaker box to direct precipitation and never use it in a damp or wet environment. This speaker box was developed for indoor use only. Do not use it outdoors.
- Do not place the speaker box in locations that are subject to high temperatures, direct sunlight, or excessive dust.
- Never operate the speaker box in the vicinity of heat sources such as cookers, heating elements or other heat producing installations.
- Keep children away from the speaker box. Children frequently underestimate the dangers of electrical devices.
- Keep sufficient distance from the speaker box when operated with high volume level. Listening to music with high sound pressure level may cause permanent damage to your hearing!
- Flying and installation of this speaker cabinet must be carried out by suitably qualified personnel following the approved safety standards.
- Do not attempt to clean the plastic enclosure with solvents or petrochemical based cleaners.
- Do not place objects which are sources of heat on the speaker cabinet such as lighting equipment or smoke machines.
- Do not stack the speaker cabinet in a manner that could cause injury should a cabinet become dislodged.
- Before connecting or operating this speaker box, please study and follow the instruction manuals of all devices connected to the box, paying particular attention to the operating precautions and wiring procedure.



Disposal

Never throw the device into the regular household waste at the end of its useful life. This product is subject to the European Directive 2002/96/EC.

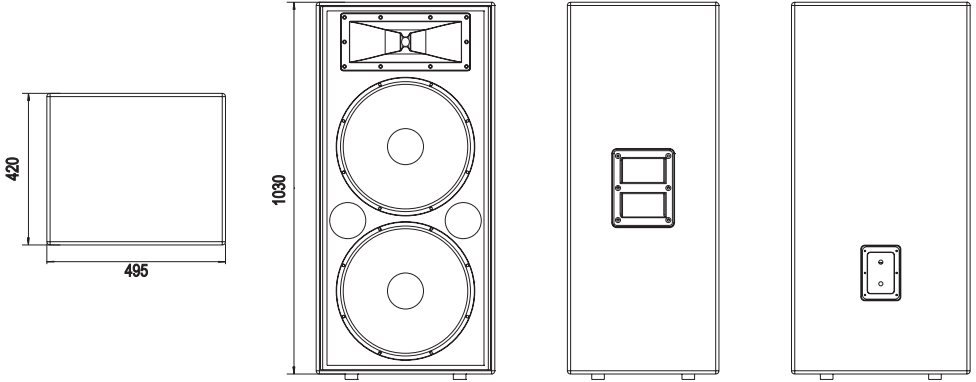


- Dispose of the device through an approved disposal centre or at your community waste facility.
- Observe the current existing regulations. In case of doubt contact your disposal facility.

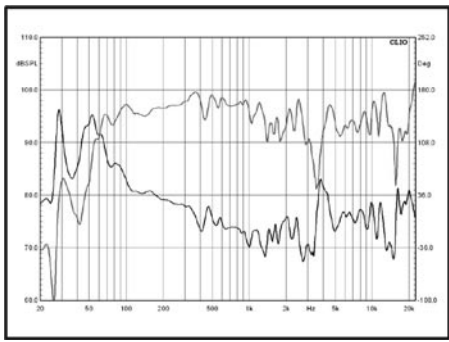
- The packaging is certified via a dual system. Take all packaging materials to an environmentally friendly disposal facility in compliance with the local regulations.



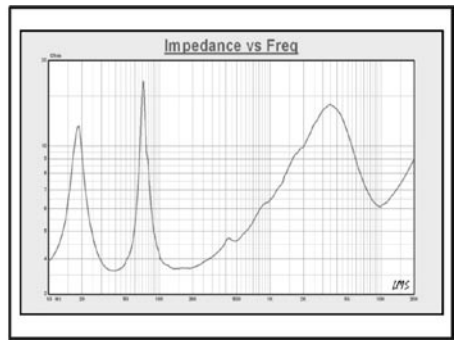
Cabinet Dimensions



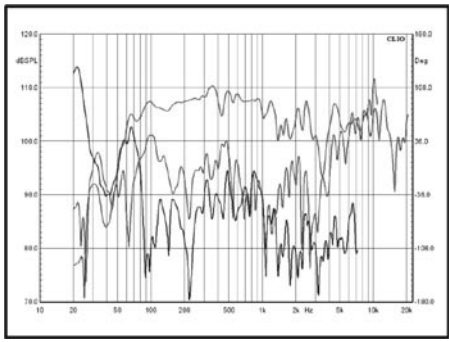
Technical Measurements



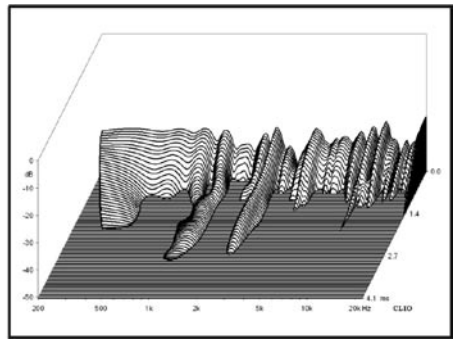
Frequency response, SPL/2.83v



Impedance curve



Harmonic distortion 106dB/2.5m, nominal impedance



Waterfall spectrum analysis

Features

- 2 x 15" woofer and 1,4" compression driver
- SPL 95 dB 1W/ 1m, 450W rms
- Frequency response 45 - 15000 Hz
- High intelligibility
- Wooden cabinet with carpet finish
- Rigid steel front grille

Technical specifications

System	: Built-in Crossover Two Way Full Range Speaker
Drivers	: 2 x 15" (Bass) 1 x 1.4" (Driver)
Frequency Response	: 45Hz - 15kHz (-3dB)
Sensitivity (1W/1m)	: 95 dB
Impedance	: 4 Ohm
Power handling capacity (RMS)	: 450 W
Power handling capacity (Peak)	: 1800 W
Max Sound Level (dB/1M)	: 121 dB
Harmonic Distortion	: ≤ 3%
Connectors	: 6,3mm jack/speakon combi socket
Dimensions (W x D x H mm)	: 495 x 420 x 1030 mm
Packing Dimensions (W x D x H mm)	: 580 x 505 x 1125 mm
Net Weight	: 35.5 kg
Gross Weight	: 38.0 kg

Our products are subject to a process of continual further development. Therefore modifications to the technical features remain subject to change without further notice.

