

User Manual

stairville CS600



Safety Instructions:

- Unpack and check carefully there is no transportation damage before using the unit.
- Use with PAR64 only!
- The unit is for indoor use only. Use only in a dry location.
- **Take care, that the fixture will be mounted according to the national requirements!**
- Take care, that the color-drums can turn easily. Take care, that the color-foils will not be blocked by the safety-wire or other things!
- Check the correct function of the fan periodically!
- Use original link cables only!
- This product carries the recycling sign! Dispose in accordance with local waste disposal rules!

DMX-Table:

Color	DMX Value
1	0 - 15
2	16 - 31
3	32 - 47
4	48 - 63
5	64 - 79
6	80 - 95
7	96 - 111
8	112 - 127
9	128 - 143
10	144 - 159
11	160 - 255

Setting the DMX address:

The DMX address can be setted between 1 and 512 by using the DIP-Switches. The Values of the DIP-Switches are as follows:

Switch	1	2	3	4	5	6	7	8	9
Value	1	2	4	8	16	32	64	128	256

To calculate the actual address, add the values of the activatet switches and add 1.

For example:

Switch 3, 4 and 8 on:

DMX address = $4 + 8 + 128 + 1 = 141$

Swicht 5 and 6 on:

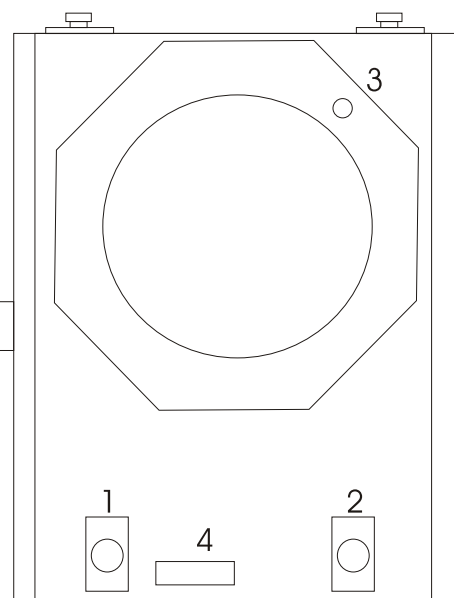
DMX address = $16 + 32 + 1 = 49$

How to unset the color-drums:

1. Release the plastic clip to open the cover of the housing
2. Unscrew the two handscrews on the top of the CS600.
3. Pull out the two plastic brackets.
4. Remove the color-drums.

Note: You also can create your own color string. The single color-foils have the dimensions (LxW): 32.5cm x 20.5cm

Rear View:



- 1 Signal Input (from PSU600 or CS600)
- 2 Signal Output (to the next Cs600)
- 3 Hole for Safety-Wire
- 4 DIP-Switch:



stairville