




STARVILLE

LED Flood Panel 150

LED floodlight

Musikhaus Thomann e.K.

Treppendorf 30

96138 Burgebrach

Germany

Telephone: +49 (0) 9546 9223-0

E-mail: info@thomann.de

Internet: www.thomann.de

08.05.2014, ID: 253358, 253359

Table of contents

1	General information	5
	1.1 Further information.....	6
	1.2 Notational conventions.....	7
	1.3 Symbols and signal words.....	7
2	Safety instructions	10
3	Features	14
4	Installation	15
5	Starting up	18
6	Connections and operating elements	21
7	Operating	26
8	Technical specifications	42
9	Plug and connection assignments	43
10	Troubleshooting	44
11	Cleaning	47

12 Protecting the environment..... 48

1 General information

This manual contains important instructions for the safe operation of the unit. Read and follow the safety instructions and all other instructions. Keep the manual for future reference. Make sure that it is available to all those using the device. If you sell the unit please make sure that the buyer also receives this manual.

Our products are subject to a process of continuous development. Thus, they are subject to change.

1.1 Further information

On our website (www.thomann.de) you will find lots of further information and details on the following points:

Download	This manual is also available as PDF file for you to download.
Keyword search	Use the search function in the electronic version to find the topics of interest for you quickly.
Online guides	Our online guides provide detailed information on technical basics and terms.
Personal consultation	For personal consultation please contact our technical hotline.
Service	If you have any problems with the device the customer service will gladly assist you.

1.2 Notational conventions

This manual uses the following notational conventions:

Letterings

The letterings for connectors and controls are marked by square brackets and italics.

Examples: *[VOLUME]* control, *[Mono]* button.



Displays


Texts and values displayed on the device are marked by quotation marks and italics.

Examples: *'24ch'*, *'OFF'*.

1.3 Symbols and signal words

In this section you will find an overview of the meaning of symbols and signal words that are used in this manual.

Signal word	Meaning
DANGER!	This combination of symbol and signal word indicates an immediate dangerous situation that will result in death or serious injury if it is not avoided.
WARNING!	This combination of symbol and signal word indicates a possible dangerous situation that can result in death or serious injury if it is not avoided.
NOTICE!	This combination of symbol and signal word indicates a possible dangerous situation that can result in material and environmental damage if it is not avoided.
Warning signs	Type of danger
	Warning – high-voltage.
	Warning – suspended load.

Warning signs	Type of danger
	Warning – danger zone.

2 Safety instructions

Intended use

This device is intended to be used as an electronic illumination effect using LED technics. Use the device only as described in this user manual. Any other use or use under other operating conditions is considered to be improper and may result in personal injury or property damage. No liability will be assumed for damages resulting from improper use.

This device may be used only by persons with sufficient physical, sensorial, and intellectual abilities and having corresponding knowledge and experience. Other persons may use this device only if they are supervised or instructed by a person who is responsible for their safety.

Safety



DANGER!

Danger for children

Ensure that plastic bags, packaging, etc. are disposed of properly and are not within reach of babies and young children. Choking hazard!

Ensure that children do not detach any small parts (e.g. knobs or the like) from the unit. They could swallow the pieces and choke!

Never let children unattended use electrical devices.



DANGER!

Electric shock caused by high voltages inside

Within the device there are areas where high voltages may be present. Never remove any covers.

There are no user-serviceable parts inside.



DANGER!

Electric shock caused by short-circuit

Always use proper ready-made insulated mains cabling (power cord) with a protective contact plug. Do not modify the mains cable or the plug. Failure to do so could result in electric shock/death or fire. If in doubt, seek advice from a registered electrician.



WARNING!

Eye damage caused by high light intensity

Never look directly into the light source.



WARNING!

Risk of epileptic shock

Strobe lighting can trigger seizures in photosensitive epilepsy. Sensitive persons should avoid looking at strobe lights.



NOTICE!

Risk of fire

Do not cover the device nor any ventilation slots. Do not place the device near any direct heat source. Keep the device away from naked flames.



NOTICE!

Operating conditions

This device has been designed for indoor use only. To prevent damage, never expose the device to any liquid or moisture. Avoid direct sunlight, heavy dirt, and strong vibrations.



NOTICE!

Power supply

Before connecting the device, ensure that the input voltage (AC outlet) matches the voltage rating of the device and that the AC outlet is protected by a residual current circuit breaker. Failure to do so could result in damage to the device and possibly injure the user.

Unplug the device before electrical storms occur and when it is unused for long periods of time to reduce the risk of electric shock or fire.

3 Features

This LED floodlight is suitable for use in clubs, bars, theatres, exhibitions, etc.

Special features of the device:

- 150 × 10 mm colour LEDs (RGB)
- Control via DMX and via buttons and display on the unit
- 10 preprogrammed automatic shows
- Sound control
- Master / Slave mode
- Compact design

4 Installation

Unpack and carefully check that there is no transportation damage before using the unit. Keep the equipment packaging. To fully protect the device against vibration, dust and moisture during transportation or storage use the original packaging or your own packaging material suitable for transport or storage, respectively.

You can install the device on the wall, ceiling or floor. A mounting bracket is included in the package.



WARNING!

Risk of injury caused by falling objects

Make sure that the installation complies with the standards and rules that apply in your country. Always secure the device with a secondary safety attachment, such as a safety cable or a safety chain.



NOTICE!

Risk of overheating

Always ensure sufficient ventilation.

The ambient temperature must always be below 40 °C (104 °F).



NOTICE!

Use of stands

When mounting the device onto a stand, ensure that the stand is in a safe and stable position and that the weight of the device does not exceed the maximum permissible load capacity of the stand.



NOTICE!

Possible data transmission errors

For error-free operation make use of dedicated DMX cables and do not use ordinary microphone cables.

Never connect the DMX input or output to audio devices such as mixers or amplifiers.



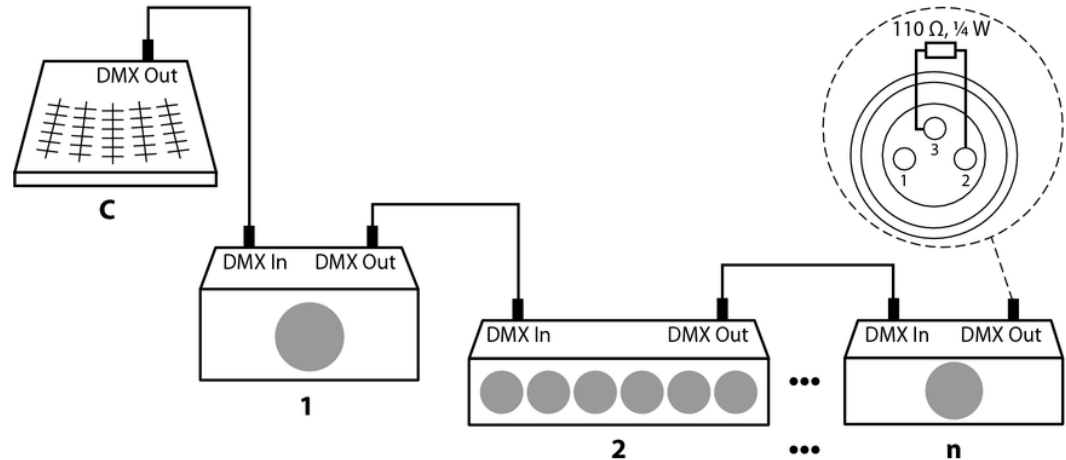
Please note that this device must not be connected to a dimmer.

5 Starting up

Establish all connections as long as the unit is switched off. Use the shortest possible high-quality cables for all connections.

Connections in DMX mode

Connect the DMX input of the device to the DMX output of a DMX controller or another DMX device. Connect the output of the first DMX device to the input of the second one, and so on to form a daisy chain. Always ensure that the output of the last DMX device in the daisy chain is terminated with a resistor ($110\ \Omega$, $\frac{1}{4}\ \text{W}$).

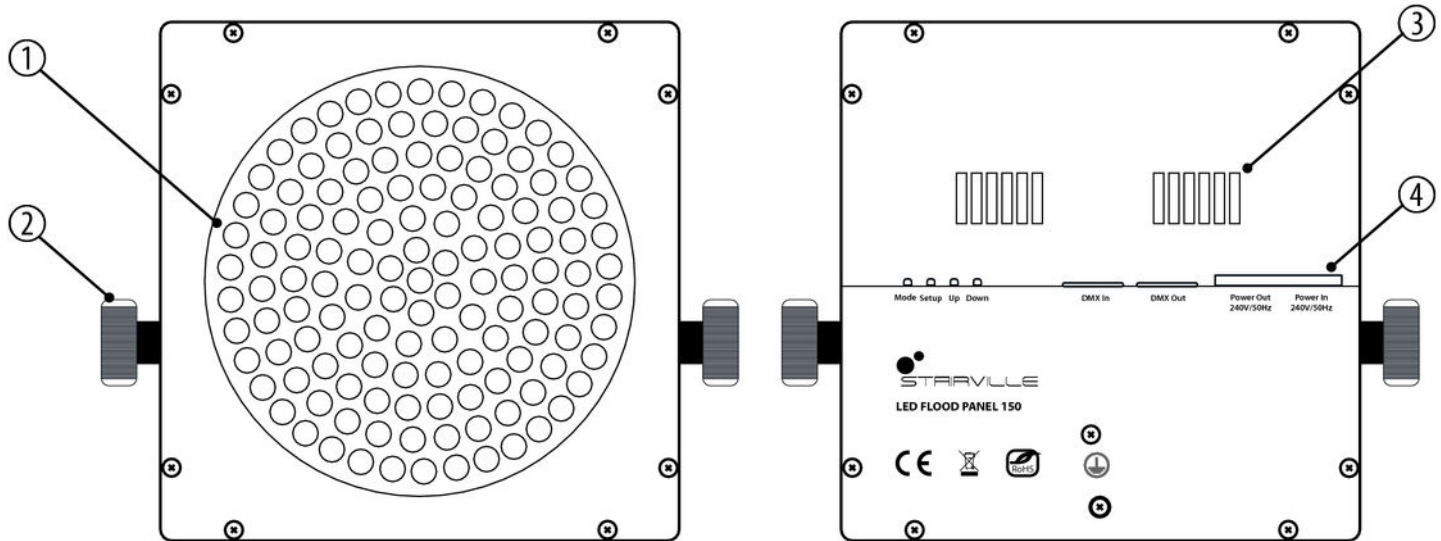


Connections in master/slave mode

When you configure a group of devices in master/slave mode, the first unit will control the other units for an automatic, sound-activated, synchronized show. This function is ideal when you want to start a show immediately. Connect the DMX output of the master device to the DMX input of the first slave device. Then connect the DMX output of the first slave device to the DMX input of the second slave device and so on.

6 Connections and operating elements

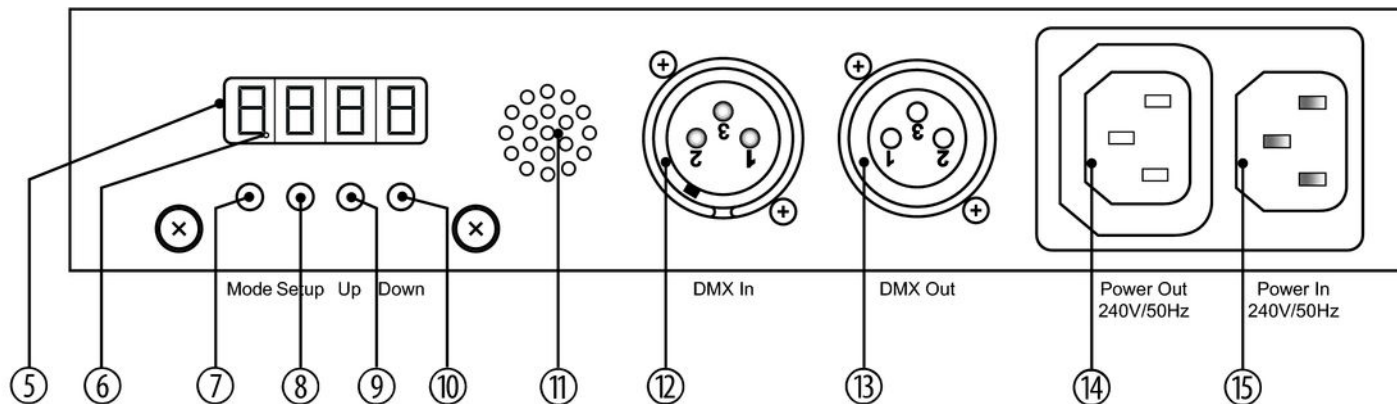
Front and rear panel



LED Flood Panel 150

1	LEDs.
2	Locking screws for the bracket for hanging or placement.
3	Vents.
4	Control panel and connections.

Control panel and connections



5	Display.
6	DMX indicator: Flashes when the device is configured for 'DMX' mode, but not receiving a DMX signal. If no DMX cable is connected, the DMX indicator lights continuously.
7	<i>[Mode]</i> Activates the main menu for selecting the operating mode.
8	<i>[Setup]</i> Selects an option of the respective operating mode.
9	<i>[Up]</i> Increases the displayed value by one.
10	<i>[Down]</i> Decreases the displayed value by one.
11	Microphone for sound control.
12	<i>[DMX In]</i> DMX input.

13	<i>[DMX Out]</i> DMX output.
14	<i>[Power Out]</i> IEC chassis socket to feed another device with mains voltage.
15	<i>[Power In]</i> IEC chassis plug for the power cable. Below, the range of the allowable operating voltage is specified.

7 Operating

Starting the device

Connect the device to the power supply to start operation. After a few seconds, the display indicates that a reset is in progress. The device is then ready for use.

Press *[Mode]* to activate the main menu and select an operating mode. If you don't press any button for about ten seconds the display turns off. Press any button to turn the display back on again. The previously called menu is displayed again.

The set values are retained during a power supply interruption.

Operating mode 'Preprogrammed automatic show'

A preprogrammed automatic show can only be activated when the unit is operating in stand alone mode or as master in a master / slave combination. This setting is only relevant if the device is not controlled via DMX.

Press *[Mode]* repeatedly until the display shows 'Pr.xx'. Press *[Setup]* and use *[Up]* and *[Down]* to select a value between 'Pr.01' and 'Pr.10'. The following table shows the available programmes.

Programme	Description
'Pr.01'	Constant colour
'Pr.02'	Fading seven colours
'Pr.03'	Fading three colours
'Pr.04'	Rapid change seven colours
'Pr.05'	Rapid change three colours
'Pr.06'	Random 1
'Pr.07'	Random 2
'Pr.08'	Fading red only

Programme	Description
'Pr.09'	Fading green only
'Pr.10'	Fading blue only

Settings for programme 01:

For 'Pr.01', you can choose from 7 predefined colours. After programme selection, press [Setup]. With [Up] and [Down] you can now select one of the colour settings '1.--r' to '8.00F', see the following table.

Value	Colour setting
'1.--r'	Red
'2.-rg'	Red + green
'3.--g'	Green
'4.-gb'	Green + blue
'5.--b'	Blue

Value	Colour setting
'6.-rb'	Red + blue
'7.rgb'	Red + green + blue
'8.00F'	No function

Press again *[Setup]* to set the brightness of the colours and the flash frequency for the strobe effect. Depending on the mode, the display shows one of the following values: 'rxxx', 'gxxx', 'bxxx' or 'FSxx'. With *[Up]* and *[Down]* you can now select a value between 'SPFS00' (slow) and 'FS99' (fast).

Settings for programmes 02 to 10:

After colour selection, press *[Setup]* to set the programme progress speed. The display shows 'SP.xx'. With *[Up]* and *[Down]* you can now select a value between 'SP.01' (slow) and 'SP.99' (fast) as well as 'SP.FL' (strobe effect).

To set the flash frequency for the strobe effect, press again *[Setup]*. The display shows 'FSxx'. With *[Up]* and *[Down]* you can now select a value between 'SPFS00' (slow) and 'FS99' (fast).

Operating mode 'Auto'

Automatic operation can only be activated when the unit is operating in stand alone mode or as master in a master / slave combination. This setting is only relevant if the device is not controlled via DMX.

Press *[Mode]* repeatedly until the display shows 'Auto'. All available programmes are played in an endless loop, playback starts automatically.

Press *[Setup]* to set the programme progress speed. The display shows 'SP.xx'. With *[Up]* and *[Down]* you can now select a value between 'SP.01' (slow) and 'SP.FL' (fast).

To set the flash frequency for the strobe effect, press again *[Setup]*. The display shows 'FSxx'. With *[Up]* and *[Down]* you can now select a value between 'SPFS00' (slow) and 'FS99' (fast).

To adjust the fade function, press again *[Setup]*. The display shows 'Fdxx'. With *[Up]* and *[Down]* you can now select a value between 'Fd00' (slow fading) and 'Fd99' (fast fading).

Operating mode 'Slave'

This setting is only relevant if the device is working as Slave in a Master / Slave configuration and is not controlled via DMX.

Press *[Mode]* repeatedly until the display shows 'SLAv'.

Sound control

Sound control can only be activated when the unit is operating in stand alone mode or as master in a master / slave combination. This setting is only relevant if the device is not controlled via DMX.

Press *[Mode]* repeatedly until the display shows 'SU.xx'. This activates the sound controlled automatic show.

Press *[Setup]* and use *[Up]* and *[Down]* to adjust the sensitivity for the sound control in a range of 'SU.00' ... 'SU.31'.

DMX mode

This setting is only relevant if the device is controlled via DMX.

Press *[Mode]* repeatedly until the display shows 'd.xxx'.

Now you can set the number of the first DMX channel to be used by the device (DMX address). Use *[Up]* and *[Down]* to select a value in a range of 'd.001' ... 'd.512'.

Make sure that this number matches the configuration of your DMX controller. The following table shows the highest possible DMX address for the various DMX modes

Mode	Highest possible DMX address
3-channel	510
4-channel	509
8-channel	505

Press *[Setup]*. With *[Up]* and *[Down]* you can now select one of the following DMX operating modes:

- '3-ch' (three channels)
- '4-ch' (four channels)
- '8-ch' (eight channels)

Functions in 3-channel DMX mode

Channel	Value	Function
1	0...255	Intensity Red (0 %...100 %)
2	0...255	Intensity Green (0 %...100 %)
3	0...255	Intensity Blue (0 %...100 %)

Functions in 4-channel DMX mode

Channel	Value	Function
1	0...255	Dimmer (0 %...100 %)
2	0...255	Intensity Red (0 %...100 %)
3	0...255	Intensity Green (0 %...100 %)
4	0...255	Intensity Blue (0 %...100 %)

Functions in 8-channel DMX mode

In 8-channel mode, multiple devices can be grouped through an identical DMX address. Press *[Setup]* and assign an ID in a range of '1d.01' ... '1d.66'. You can directly control single or multiple devices through the assigned ID via channel 7.

Channel	Value	Function
1	0...255	Dimmer (0 %...100 %)
2	0...255	Intensity Red (0 %...100 %), if channel 6 = 0
	If channel 6 = 1...24: Constant colour, hue is defined via channel 2	
	0...8	Red: 255
	9...17	Red: 255, Green: 50
	18...26	Red: 255, Green: 150
	27...35	Red: 255, Green: 255
	36...44	Red: 200, Green 255
	45...53	Red: 100, Green: 255

Channel	Value	Function
	54...62	Red: 40, Green: 255
	63...71	Green: 255
	72...80	Green: 255, Blue: 50
	81...89	Green: 255, Blue: 150
	90...98	Green: 255, Blue: 255
	99...107	Green: 150, Blue: 255
	108...116	Green: 50, Blue: 255
	117...125	Blue: 255
	126...134	Red: 50, Blue: 255
	135...143	Red: 150, Blue: 255
	144...152	Red: 255, Blue: 255
	153...161	Red: 220, Blue: 255
	162...170	Red: 150, Green: 50, Blue: 100

Channel	Value	Function
	171...179	Red: 50, Green: 180, Blue: 220
	180...188	Red: 50, Green: 220, Blue: 100
	189...197	Red: 150, Green: 220
	198...206	Red: 150, Blue: 220
	207...215	Green: 180, Blue: 220
	216...224	Green: 220, Blue: 50
	225...233	Red: 220, Green: 100, Blue: 50
	234...242	Red: 220, Green: 200, Blue: 100
	243...251	Red: 255, Green: 200, Blue: 150
	252...255	Red: 255, Green: 255, Blue: 255
	If channel 6 = 25...249: Programme progress speed	
	0...255	Slow...fast
	If channel 6 = 250...255: Sound control response characteristic	

Channel	Value	Function
	0...255	Slow...fast
3	0...255	Intensity Green (0 %...100 %), if channel 6 = 0
4	0...255	Intensity Blue (0 %...100 %), if channel 6 = 0
5	0...9	No function
	10...255	Strobe effect flash frequency, slow...fast
6	0	RGB mix, constant, colour setting via channel 2...4
	1...24	Constant colour, setting via channel 2
	25...49	Programme Pr02, fading seven colours
	50...74	Programme Pr03, fading three colours
	75...99	Programme Pr04, rapid change seven colours
	100...124	Programme Pr05, rapid change three colours
	125...149	Programme Pr06, random 1
	150...174	Programme Pr07, random 2

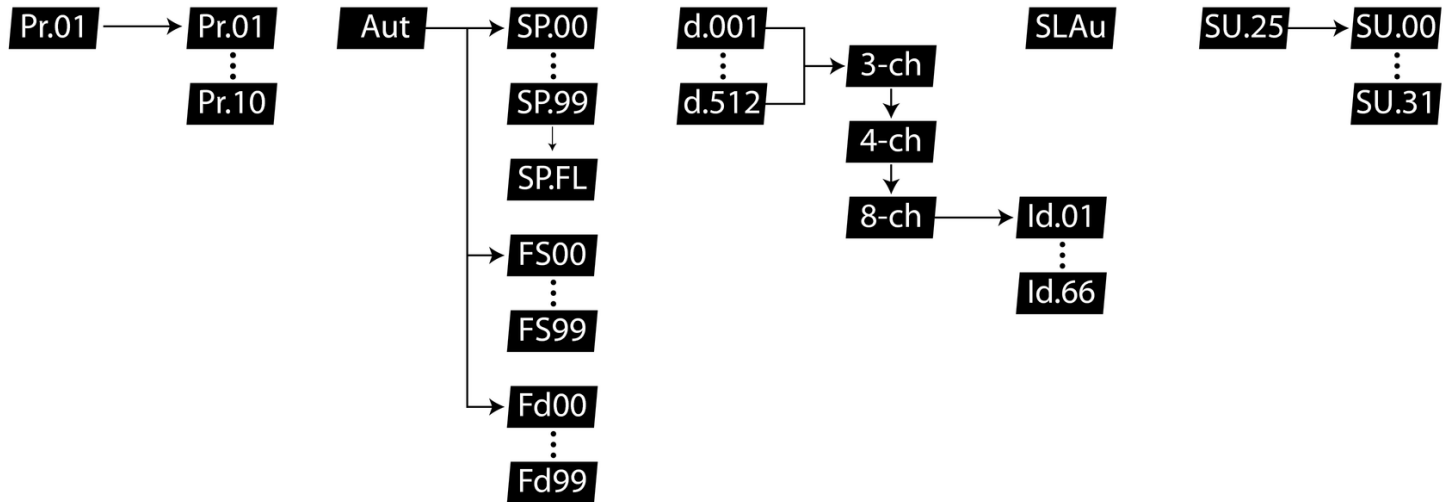
Channel	Value	Function
	175...199	Programme Pr08, fading red only
	200...224	Programme Pr09, fading green only
	225...249	Programme Pr10, fading blue only
	250...255	Sound control
7	You can directly control single or multiple devices of a group via channel 7 by assigning the same ID.	
	0...9	ID1...ID66
	10...19	ID1
	20...29	ID2
	30...39	ID3
	40...49	ID4
	50...59	ID5
	60...69	ID6
	70...79	ID7

Channel	Value	Function
	80...89	ID8
	90...99	ID9
	100...109	ID10
	110...119	ID11
	120...129	ID12
	130...139	ID13
	140...149	ID14
	150...159	ID15
	160...169	ID16
	170...179	ID17
	180...189	ID18
	190...199	ID19
	200...209	ID20

Channel	Value	Function
	210	ID21
	211	ID22
	212	ID23

	254	ID65
	255	ID66
8	0...250	No function
	251...255	Delayed LED power-up

Menu overview



8 Technical specifications

LEDs	48 × red, 10 mm
	51 × green, 10 mm
	51 × blue, 10 mm
Dispersion angle	LED Flood Panel 150 20°, item no. 235358: 20°
	LED Flood Panel 150 40°, item no. 235359: 40°
Number of DMX channels	3, 4, 8
Operating supply voltage	AC 230 V ~ , 50 Hz
Power consumption	18 W
Dimensions (W × D × H)	260 mm × 68 mm × 210 mm
Weight	1.8 kg

9 Plug and connection assignments

Introduction

This chapter will help you select the right cables and plugs to connect your valuable equipment so that a perfect light experience is guaranteed.

Please take our tips, because especially in 'Sound & Light' caution is indicated: Even if a plug fits into a socket, the result of an incorrect connection may be a destroyed DMX controller, a short circuit or 'just' a not working light show!

DMX connections

The unit offers a 3-pin XLR socket for DMX output and a 3-pin XLR plug for DMX input. Please refer to the drawing and table below for the pin assignment of a suitable XLR plug.



Pin	Configuration
1	Ground, shielding
2	Signal inverted (DMX-, 'cold signal')
3	Signal (DMX+, 'hot signal')

10 Troubleshooting



NOTICE!

Possible data transmission errors

For error-free operation make use of dedicated DMX cables and do not use ordinary microphone cables.

Never connect the DMX input or output to audio devices such as mixers or amplifiers.

In the following we list a few common problems that may occur during operation. We give you some suggestions for easy troubleshooting:

Symptom	Remedy
The unit does not work, no light	Check the mains connection and the main fuse.
No response to the DMX controller	<ol style="list-style-type: none"> <li data-bbox="887 295 1520 482">1. If the unit is in DMX mode and a DMX controller is connected and turned on, the LED (6) behind the first digit of the display will flash. If it doesn't, no valid DMX signal is received. Check that the DMX controller is switched on. Check the DMX connectors and cables for proper connection. <li data-bbox="887 482 1520 591">2. If the display is not flashing but there is still no response, check the address settings and the DMX polarity. <li data-bbox="887 591 1520 645">3. Try using another DMX controller. <li data-bbox="887 645 1520 748">4. Check to see if the DMX cables run near or alongside to high voltage cables that may cause damage or interference to DMX interface circuits.
No response to the remote control	<ol style="list-style-type: none"> <li data-bbox="887 757 1520 810">1. Try using the remote control at a different angle to the IR sensor on the front panel of the device.

Symptom	Remedy
	2. Move the remote control closer to the unit.
	3. Check the remote control battery.

If the procedures recommended above do not succeed, please contact our Service Center. You can find the contact information at www.thomann.de.

11 Cleaning

Optical lenses

Clean the optical lenses, that are accessible from the outside, regularly in order to optimize the light output. The frequency of cleaning depends on the operating environment: wet, smoky or particularly dirty surroundings can cause more accumulation of dirt on the optics of the device.

- Clean with a soft cloth using our lamp and lens cleaner (item no. 280122).
- Always dry the parts carefully.

12 Protecting the environment

Disposal of the packaging material



For the transport and protective packaging, environmentally friendly materials have been chosen that can be supplied to normal recycling.

Ensure that plastic bags, packaging, etc. are properly disposed of.

Do not just dispose of these materials with your normal household waste, but make sure that they are collected for recycling. Please follow the notes and markings on the packaging.

Disposal of your old device



This product is subject to the European Waste Electrical and Electronic Equipment Directive (WEEE). Do not dispose with your normal household waste.

Dispose of this device through an approved waste disposal firm or through your local waste facility. When discarding the device, comply with the rules and regulations that apply in your country. If in doubt, consult your local waste disposal facility.

LED Flood Panel 150



