



fungeneration

LED Pot 12×1W RGBW
LED PAR

Musikhaus Thomann
Thomann GmbH
Hans-Thomann-Straße 1
96138 Burgebrach
Germany
Telephone: +49 (0) 9546 9223-0
E-mail: info@thomann.de
Internet: www.thomann.de

31.05.2017, ID: 377666

Table of contents

1	General information	5
	1.1 Further information.....	6
	1.2 Notational conventions.....	7
	1.3 Symbols and signal words.....	7
2	Safety instructions	10
3	Features	15
4	Installation	16
5	Starting up	20
6	Connections and operating elements	23
7	Operating	29
	7.1 Starting the device.....	29
	7.2 Main menu.....	29
	7.3 Menu overview.....	33
	7.4 Functions in 4-channel DMX mode.....	34
	7.5 Functions in 6-channel DMX mode.....	34

	7.6 Functions in 8-channel DMX mode.....	35
8	Technical specifications.....	39
9	Plug and connection assignments.....	40
10	Troubleshooting.....	41
11	Cleaning.....	43
12	Protecting the environment.....	44

1 General information

This manual contains important instructions for the safe operation of the unit. Read and follow the safety instructions and all other instructions. Keep the manual for future reference. Make sure that it is available to all those using the device. If you sell the unit please make sure that the buyer also receives this manual.

Our products are subject to a process of continuous development. Thus, they are subject to change.

1.1 Further information

On our website (www.thomann.de) you will find lots of further information and details on the following points:

Download	This manual is also available as PDF file for you to download.
Keyword search	Use the search function in the electronic version to find the topics of interest for you quickly.
Online guides	Our online guides provide detailed information on technical basics and terms.
Personal consultation	For personal consultation please contact our technical hotline.
Service	If you have any problems with the device the customer service will gladly assist you.

1.2 Notational conventions

This manual uses the following notational conventions:

Letterings

The letterings for connectors and controls are marked by square brackets and italics.

Examples: *[VOLUME]* control, *[Mono]* button.



Displays


Texts and values displayed on the device are marked by quotation marks and italics.

Examples: *'24ch'*, *'OFF'*.

1.3 Symbols and signal words

In this section you will find an overview of the meaning of symbols and signal words that are used in this manual.

Signal word	Meaning
DANGER!	This combination of symbol and signal word indicates an immediate dangerous situation that will result in death or serious injury if it is not avoided.
WARNING!	This combination of symbol and signal word indicates a possible dangerous situation that can result in death or serious injury if it is not avoided.
NOTICE!	This combination of symbol and signal word indicates a possible dangerous situation that can result in material and environmental damage if it is not avoided.
Warning signs	Type of danger
	Warning – high-voltage.
	Warning – suspended load.

Warning signs	Type of danger
	Warning – danger zone.

2 Safety instructions

Intended use

This device is intended to be used as an electronic illumination effect using LED technics. The device is designed for professional use and is not suitable for use in households. Use the device only as described in this user manual. Any other use or use under other operating conditions is considered to be improper and may result in personal injury or property damage. No liability will be assumed for damages resulting from improper use.

This device may be used only by persons with sufficient physical, sensorial, and intellectual abilities and having corresponding knowledge and experience. Other persons may use this device only if they are supervised or instructed by a person who is responsible for their safety.

Safety**DANGER!****Danger for children**

Ensure that plastic bags, packaging, etc. are disposed of properly and are not within reach of babies and young children. Choking hazard!

Ensure that children do not detach any small parts (e.g. knobs or the like) from the unit. They could swallow the pieces and choke!

Never let children unattended use electrical devices.

**DANGER!****Electric shock caused by high voltages inside**

Within the device there are areas where high voltages may be present. Never remove any covers.

There are no user-serviceable parts inside.

Do not use the device if covers, protectors or optical components are missing or damaged.



DANGER!

Electric shock caused by short-circuit

Do not modify the mains cable or the plug. Failure to do so could result in electric shock/death or fire. If in doubt, seek advice from a registered electrician.



WARNING!

Eye damage caused by high light intensity

Never look directly into the light source.



WARNING!

Risk of epileptic shock

Strobe lighting can trigger seizures in photosensitive epilepsy. Sensitive persons should avoid looking at strobe lights.



NOTICE!

Risk of fire

Do not cover the device nor any ventilation slots. Do not place the device near any direct heat source. Keep the device away from naked flames.



NOTICE!

Operating conditions

This device has been designed for indoor use only. To prevent damage, never expose the device to any liquid or moisture. Avoid direct sunlight, heavy dirt, and strong vibrations.



NOTICE!

Power supply

Before connecting the device, ensure that the input voltage (AC outlet) matches the voltage rating of the device and that the AC outlet is protected by a residual current circuit breaker. Failure to do so could result in damage to the device and possibly injure the user.

Unplug the device before electrical storms occur and when it is unused for long periods of time to reduce the risk of electric shock or fire.

3 Features

Special features of the device:

- 12 × 1 watt TrueColour LED (each 3 × red, green, blue and white)
- Stand-alone, master-slave or DMX mode operation
- Operating via buttons and display on the unit or optionally available infrared remote control
- Compact plastic housing
- Universal two-piece mounting bracket for hanging or standing installation
- Suitable for use in clubs, bars, theatres, exhibitions, etc. or for architectural lighting

4 Installation

Unpack and carefully check that there is no transportation damage before using the unit. Keep the equipment packaging. To fully protect the device against vibration, dust and moisture during transportation or storage use the original packaging or your own packaging material suitable for transport or storage, respectively.



WARNING!

Risk of injury caused by falling objects

Make sure that the installation complies with the standards and rules that apply in your country. Always secure the device with a secondary safety attachment, such as a safety cable or a safety chain.



NOTICE!

Risk of overheating

Always ensure sufficient ventilation.

The ambient temperature must always be below 40 °C (104 °F).



NOTICE!

Use of stands

When mounting the device onto a stand, ensure that the stand is in a safe and stable position and that the weight of the device does not exceed the maximum permissible load capacity of the stand.



NOTICE!

Possible data transmission errors

For error-free operation make use of dedicated DMX cables and do not use ordinary microphone cables.

Never connect the DMX input or output to audio devices such as mixers or amplifiers.

Mounting options

You can install the device standing or hanging upside down. When in use, the device must be mounted at a solid surface or clamped to an approved truss. Use the openings of the two-piece bracket provided for mounting.

Work from a stable platform whenever you install or move the device or when you perform any kind of maintenance. Block access under the work area.

The safety cable must be attached to the bracket.



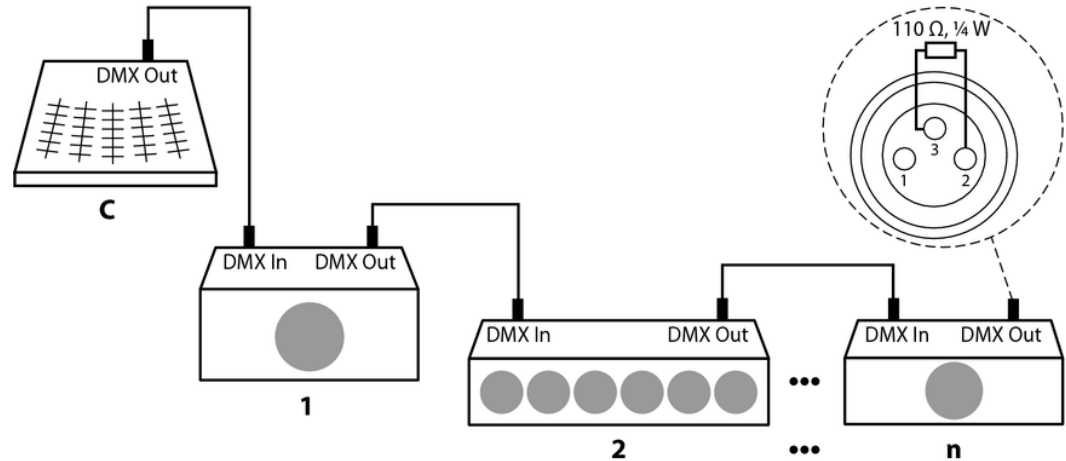
Please note that this device must not be connected to a dimmer.

5 Starting up

Establish all connections as long as the unit is switched off. Use the shortest possible high-quality cables for all connections.

Connections in DMX mode

Connect the DMX input of the device to the DMX output of a DMX controller or another DMX device. Connect the output of the first DMX device to the input of the second one, and so on to form a daisy chain. Always ensure that the output of the last DMX device in the daisy chain is terminated with a resistor ($110\ \Omega$, $\frac{1}{4}\ \text{W}$).

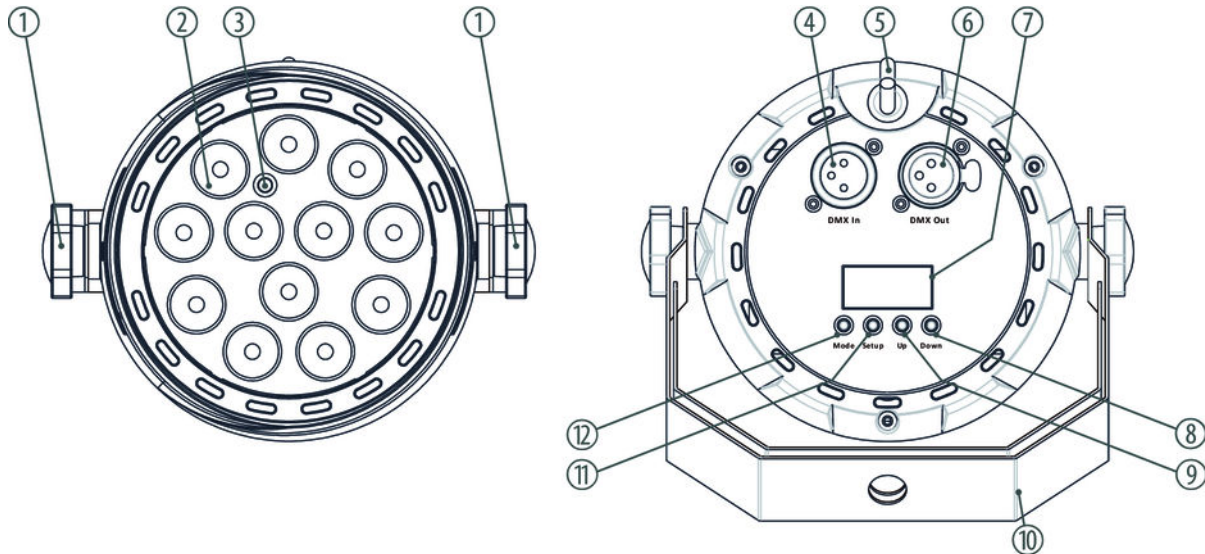


Connections in master/slave mode

When you configure a group of devices in master/slave mode, the first unit will control the other units for an automatic, sound-activated, synchronized show. This function is ideal when you want to start a show immediately. Connect the DMX output of the master device to the DMX input of the first slave device. Then connect the DMX output of the first slave device to the DMX input of the second slave device and so on.

6 Connections and operating elements

Rear panel



LED Pot 12x1W RGBW

1	Locking screws for the mounting bracket.
2	Light aperture.
3	Infrared sensor for receiving signals from an optionally available remote control.
4	<i>[DMX IN]</i> DMX input.
5	Power cord.
6	<i>[DMX OUT]</i> DMX output.
7	Display.
8	Button <i>[Down]</i> Decreases the displayed value by one.
9	Button <i>[Up]</i> Increases the displayed value by one.

10 Two-piece bracket for hanging or installation and for securing the safety-rope.

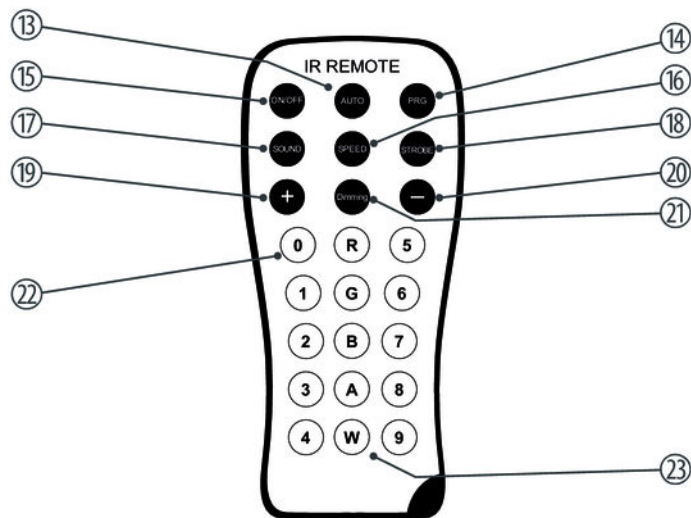
11 Button [*Setup*]

Confirms a selected value.

12 Button [*MODE*]

Calls the main menu or a submenu.

Remote control (optional)



13	<i>[AUTO]</i> Enables the auto mode.
14	<i>[PRG]</i> Enables the Programme mode. Select the desired programme with the buttons <i>[+]</i> and <i>[-]</i> .
15	<i>[ON/OFF]</i> Activates / deactivates the device.
16	<i>[SPEED]</i> Activates the setting mode for the programme speed. Adjust the speed using the buttons <i>[+]</i> and <i>[-]</i> .
17	<i>[SOUND]</i> Activates the sound-controlled mode.
18	<i>[STROBE]</i> Turns the strobe function on / off.
19	<i>[+]</i> Increases the set value.

20	<i>[-]</i> Decreases the set value.
21	<i>[Dimming]</i> Enables the dimmer function.
22	<i>[0 ... 9]</i> Numeric buttons for direct selection of a fixed colour.
23	<i>[R], [G], [B], [A], [W]</i> Buttons to select a colour tone for the dimmer mode.

7 Operating

7.1 Starting the device

Connect the device to the power supply to start operation. After a few seconds the unit is ready for use.

7.2 Main menu

Press *[MODE]* to activate the main menu. Press again *[MODE]* or *[UP]* | *[DOWN]* to call further menu items. To activate the respectively shown menu item, press *[SETUP]*. Use *[UP]* and *[DOWN]* to change the respectively indicated value. Changed values and settings will immediately take effect. With *[MODE]* you return to the previous menu level.

If you do not press any key for about 15 seconds, the display will turn off. The set values are retained even when the device is disconnected from the mains power supply.

Auto mode

Press *[MODE]* or *[UP]* | *[DOWN]* repeatedly until the display shows 'AUTO'. The unit now operates in automatic stand-alone mode.

Programme mode

Press *[MODE]* or *[UP]* | *[DOWN]* repeatedly until the display shows 'Pro'. Press *[SETUP]* to then select with *[UP]* | *[DOWN]* one of the programmes 'Pr.01' - 'Pr.14'.

If you select 'Pr.01', you can press *[SETUP]* and then use *[UP]* | *[DOWN]* to select 15 programmed colour patterns that are constantly lighting. Or you select '-OFF' to blackout the unit. Press *[SETUP]* to then select with *[UP]* | *[DOWN]* the strobe frequency from 'FS.01' (slow) to 'FS.99' (fast). Select 'FS.00' for constant light.

Programmes 'Pr.02' - 'Pr.14' offer preprogrammed colour sequences. After selecting one of these programmes, press *[SETUP]* to then select with *[UP]* | *[DOWN]* the speed of the colour sequences from 'SP.01' (slow) to 'SP.FL' (fast). Press *[SETUP]* to then select with *[UP]* | *[DOWN]* the strobe frequency from 'FS.01' (slow) to 'FS.99' (fast).

DMX address

Press *[MODE]* or *[UP]* | *[DOWN]* repeatedly until the display shows 'd---'. Press *[SETUP]* to then select with *[UP]* | *[DOWN]* the desired DMX address between 1 and 512 (the display shows 'd.001' ... 'd.512'). Make sure that this number matches the configuration of your DMX controller.

Press *[SETUP]* to then select with *[UP]* | *[DOWN]* the number of channels (4, 6 or 8) available for DMX operation.

Slave mode

Press *[MODE]* or *[UP]* | *[DOWN]* repeatedly until the display shows 'SLAv'. The device is now working in slave mode, i.e. it will exactly copy the movement of the controlling master device, correct wiring provided.

Color mode

Press *[MODE]* or *[UP]* | *[DOWN]* repeatedly until the display shows 'Colr'. All LEDs light with full intensity. Press *[SETUP]* to then select with *[UP]* | *[DOWN]* the intensity of the red LEDs between 'r.000' (off) and 'r.255' (full). Press *[SETUP]* to then select with *[UP]* | *[DOWN]* the intensity of the green LEDs between 'g.000' (off) and 'g.255' (full). Press *[SETUP]* to then select with *[UP]* | *[DOWN]* the intensity of the blue LEDs between 'b.000' (off) and 'b.255' (full). Press *[SETUP]* to then select with *[UP]* | *[DOWN]* the intensity of the white LEDs between 'u.000' (off) and 'u.255' (full).

Sound mode

Press *[MODE]* or *[UP]* | *[DOWN]* repeatedly until the display shows 'Soud'. The device now shows a sound-controlled colour sequence. Press *[SETUP]* to then select with *[UP]* | *[DOWN]* the sensitivity of the built-in microphone for sound control between 'SU.00' (low) and 'SU.31' (high).

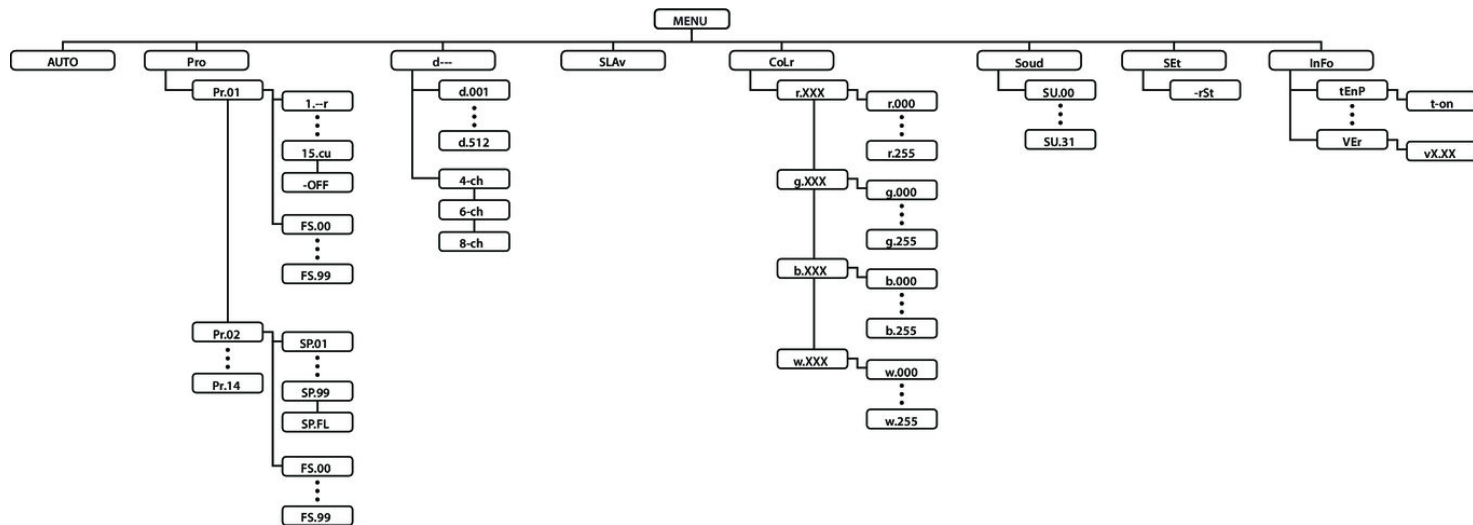
Resetting the device

Press *[MODE]* or *[UP]* | *[DOWN]* repeatedly until the display shows 'SEt'. Press *[SETUP]*, the display shows '-rSt'. If you press *[SETUP]* again during this display, the device is being reset to factory defaults. All your previously adjusted settings are thereby being irretrievably erased. Press 'MODE' to cancel the procedure.

Information display

Press *[MODE]* or *[UP]* | *[DOWN]* repeatedly until the display shows 'InFo'. Press *[SETUP]*, the display shows 'tEnP'. If you press *[SETUP]* again during this display, the display shows 't-on'. If you press *[UP]* or *[DOWN]* during the 'tEnP' display, the display shows 'VER'. Press *SETUP* to let the device show the Firmware version.

7.3 Menu overview



7.4 Functions in 4-channel DMX mode

Channel	Value	Function
1	0...255	Intensity Red (0 % to 100 %)
2	0...255	Intensity Green (0 % to 100 %)
3	0...255	Intensity Blue (0 % to 100 %)
4	0...255	Intensity White (0 % to 100 %)

7.5 Functions in 6-channel DMX mode

Channel	Value	Function
1	0...255	Dimmer (0 % to 100 %)
2	0...255	Intensity Red (0 % to 100 %)
3	0...255	Intensity Green (0 % to 100 %)

Channel	Value	Function
4	0...255	Intensity Blue (0 % to 100 %)
5	0...255	Intensity White (0 % to 100 %)
6	1...255	Strobe effect

7.6 Functions in 8-channel DMX mode

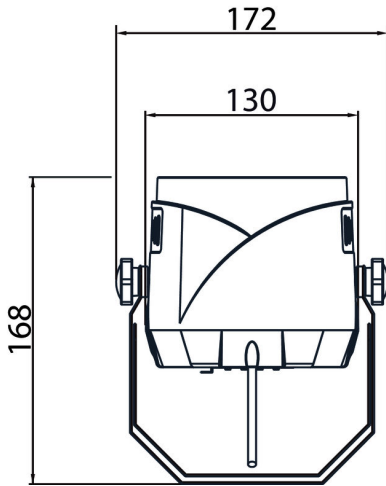
Channel	Value	Function
1	0...255	Dimmer (0 % to 100 %)
2	0...255	Intensity Red (0 % to 100 %)
3	0...255	Intensity Green (0 % to 100 %)
4	0...255	Intensity Blue (0 % to 100 %)
5	0...255	Intensity White (0 % to 100 %)

Channel	Value	Function
6	0	Blackout
	1...16	Activate colour macro for channel 7
	17...33	Programme 01
	34...50	Programme 02
	51...67	Programme 03
	68...84	Programme 04
	85...101	Programme 05
	102...118	Programme 06
	119...135	Programme 07
	136...152	Programme 08
	153...169	Programme 09
	170...186	Programme 10
	187...203	Programme 11

Channel	Value	Function
	204...220	Programme 12
	221...237	Programme 13
	238...255	Sound control
7 (if channel 6 is in colour macro)	0...15	Colour value R = 000 G = 000 B = 000 W = 000
	16...31	Colour value R = 255 G = 000 B = 000 W = 000
	32...47	Colour value R = 000 G = 255 B = 000 W = 000
	48...63	Colour value R = 000 G = 000 B = 255 W = 000
	64...79	Colour value R = 000 G = 000 B = 000 W = 255
	80...95	Colour value R = 255 G = 150 B = 000 W = 000
	96...111	Colour value R = 255 G = 180 B = 000 W = 000
	112...127	Colour value R = 255 G = 255 B = 000 W = 000
	128...143	Colour value R = 255 G = 000 B = 255 W = 000
	144...159	Colour value R = 255 G = 000 B = 140 W = 000

Channel	Value	Function
	160...175	Colour value R = 000 G = 255 B = 255 W = 000
	176...191	Colour value R = 255 G = 000 B = 000 W = 210
	192...207	Colour value R = 000 G = 255 B = 000 W = 210
	208...223	Colour value R = 000 G = 000 B = 255 W = 210
	224...239	Colour value R = 255 G = 200 B = 040 W = 090
	240...255	Colour value R = 255 G = 255 B = 255 W = 255
7 (if channel 6 is in a programme 1–14)	0...100	Speed for programmes 1–14 of channel 6
	101...255	Intensity Sound to Light
8	1...255	Strobe effect

8 Technical specifications



Illuminant	12 × 1 watt TrueColour LED (each 3 × red, green, blue and white)
Light power	5520 lux @ 1 mtr.
Dimmer	0 - 100 %
Strobe effect	0 - 20 Hz
Number of DMX channels	depending on operating mode 4, 6 or 8,
Beam angle	25 °
Operating supply voltage	AC 100 - 240 V ~ 50/60 Hz
Power consumption	15 W
Dimensions	168 mm × 172 mm × 130 mm
Weight	0.76 kg

LED Pot 12×1W RGBW

9 Plug and connection assignments

Introduction

This chapter will help you select the right cables and plugs to connect your valuable equipment so that a perfect light experience is guaranteed.

Please take our tips, because especially in 'Sound & Light' caution is indicated: Even if a plug fits into a socket, the result of an incorrect connection may be a destroyed DMX controller, a short circuit or 'just' a not working light show!

DMX connections



The unit offers a 3-pin XLR socket for DMX output and a 3-pin XLR plug for DMX input. Please refer to the drawing and table below for the pin assignment of a suitable XLR plug.

Pin	Configuration
1	Ground, shielding
2	Signal inverted (DMX-, 'cold signal')
3	Signal (DMX+, 'hot signal')

10 Troubleshooting



NOTICE!

Possible data transmission errors

For error-free operation make use of dedicated DMX cables and do not use ordinary microphone cables.

Never connect the DMX input or output to audio devices such as mixers or amplifiers.

In the following we list a few common problems that may occur during operation. We give you some suggestions for easy troubleshooting:

Symptom	Remedy
The unit does not work, no light.	Check the mains connection and the fuse.
No response to the DMX controller.	1. Check the DMX ports and cables for proper connection.
	2. Check the address settings and the DMX polarity.
	3. Try using another DMX controller.
	4. Check to see if the DMX cables run near or alongside to high voltage cables that may cause damage or interference to DMX interface circuits.

If the procedures recommended above do not succeed, please contact our Service Center. You can find the contact information at www.thomann.de.

11 Cleaning

Optical lenses

Clean the optical lenses, that are accessible from the outside, regularly in order to optimize the light output. The frequency of cleaning depends on the operating environment: wet, smoky or particularly dirty surroundings can cause more accumulation of dirt on the optics of the device.

- Clean with a soft cloth using our lamp and lens cleaner (item no. 280122).
- Always dry the parts carefully.

Fan grids

The fan grids of the device must be cleaned on a regular basis to remove dust and dirt. Before cleaning, switch off the device and disconnect AC-powered devices from the mains. Use a lint-free damp cloth for cleaning. Never use solvents or alcohol for cleaning.

12 Protecting the environment

Disposal of the packaging material



For the transport and protective packaging, environmentally friendly materials have been chosen that can be supplied to normal recycling.

Ensure that plastic bags, packaging, etc. are properly disposed of.

Do not just dispose of these materials with your normal household waste, but make sure that they are fed to a recovery. Please follow the notes and markings on the packaging.

Disposal of batteries



Batteries must not be disposed of as domestic waste or thrown into fire. Dispose of the batteries according to national or local regulations regarding hazardous waste. To protect the environment, dispose of empty batteries at your retail store or at appropriate collection sites.

Disposal of your old device



This product is subject to the European Waste Electrical and Electronic Equipment Directive (WEEE). Do not dispose with your normal household waste.

Dispose this device through an approved waste disposal firm or through your local waste facility. When discarding the device, comply with the rules and regulations that apply in your country. If in doubt, consult your local waste disposal facility.



