



Thon Studio Rack 10U, 12U, 14U, 16U, 18U, 20U 50 studio rack



Musikhaus Thomann
Thomann GmbH
Hans-Thomann-Straße 1
96138 Burgebrach
Germany
Telephone: +49 (0) 9546 9223-0
E-mail: info@thomann.de
Internet: www.thomann.de

16.10.2015, ID: 372110, 372118, 372123, 372126, 372155, 372363

Table of contents

1	Safety instructions	4
2	Scope of delivery	5
3	Installation	6
4	Technical specifications	12
5	Protecting the environment	14

1 Safety instructions

 **DANGER!**

Danger for children

Ensure that plastic bags, packaging, etc. are properly disposed of and are not in the reach of babies and young children. Choking hazard!

Ensure that children do not detach any small parts (e.g. knobs or the like) from the product. They could swallow the pieces and choke!

Never let children play unattended with the product.

 **CAUTION!**

Danger of hand cuts

Pay attention to sharp edges on tools, screws and components when assembling and screwing the items together.

2 Scope of delivery



Before you assemble your rack, make sure the contents of package is complete according to the following list.

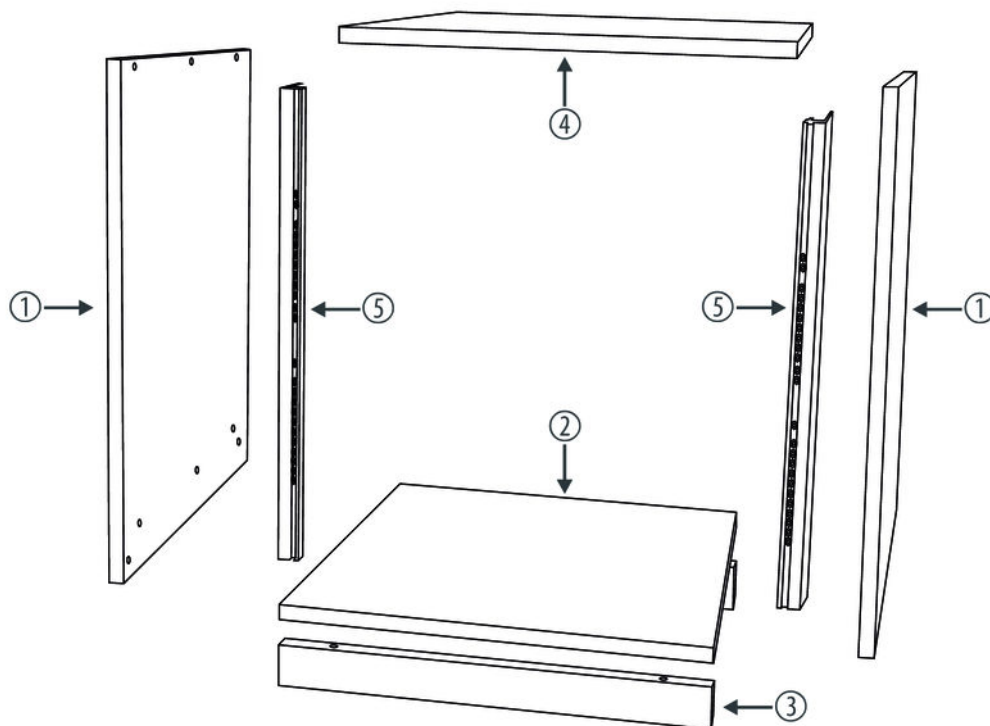
Thon Studio Rack

- 2 × side panel, coated 18 mm wooden board
- 1 × floor panel, coated 18 mm wooden board
- 1 × cover panel, coated 18 mm wooden board
- 2 × furniture base, coated 18 mm wooden board
- 2 × rack rails, metal, variable
- 24 × wood screw
- 20 × barrel nut
- 20 × locating pin
- 1 × set of mounting screws for appliances
- 1 × assembly instructions

3 Installation

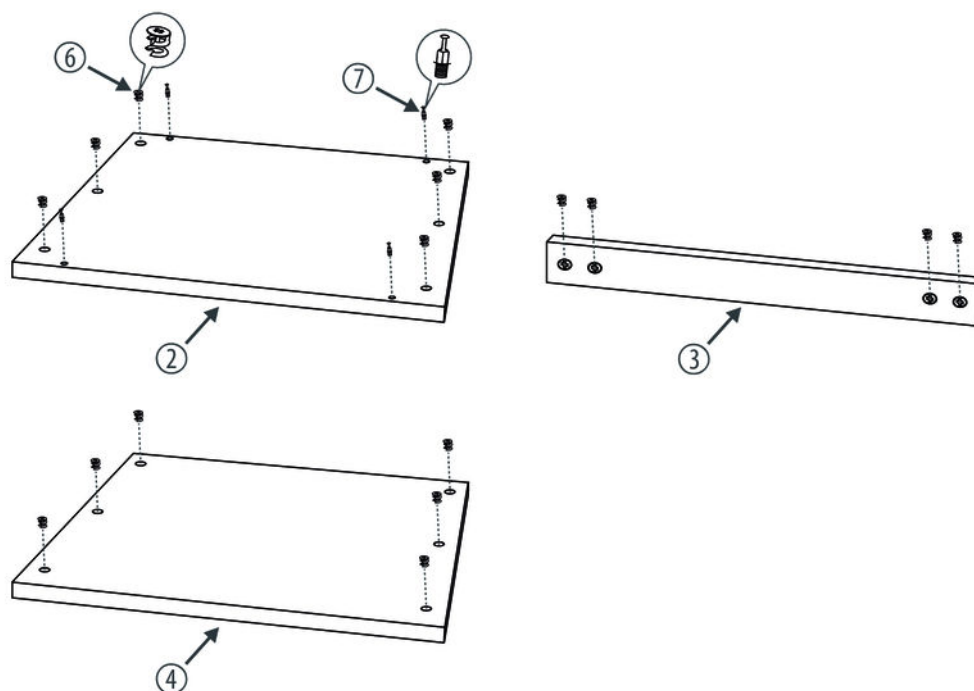
Overview

The following figure provides an overview of the positioning of the individual components.



1	Side panels.
2	Floor panel.
3	Base.
4	Cover panel.
5	Rack rails.

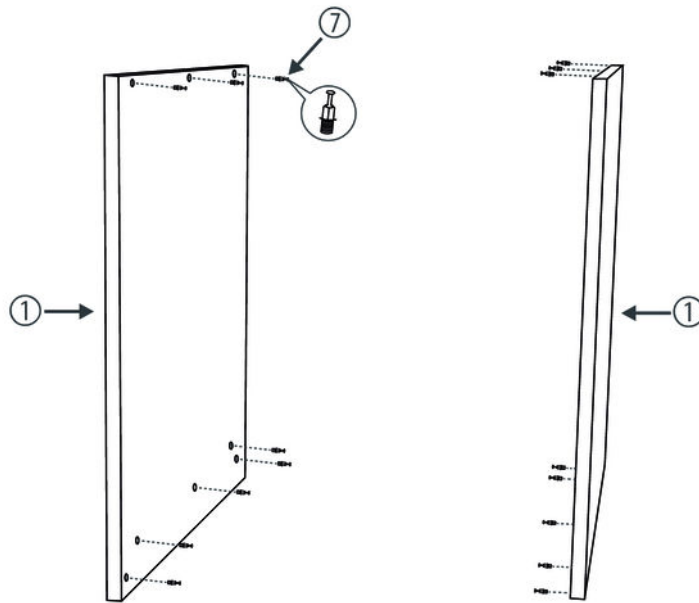
Preparation of components



6	Barrel nuts.
---	--------------

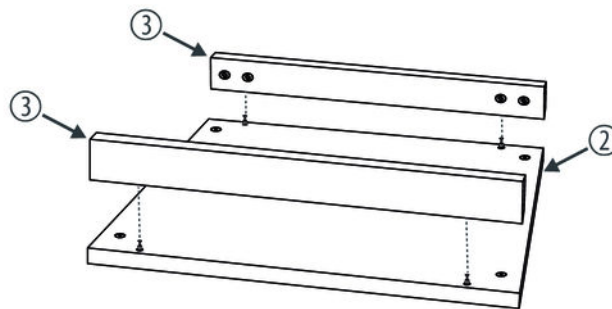
7	Locating pins.
---	----------------

Put the barrel nuts in the designated blind holes in the floor panel, the cover panel and the bases.



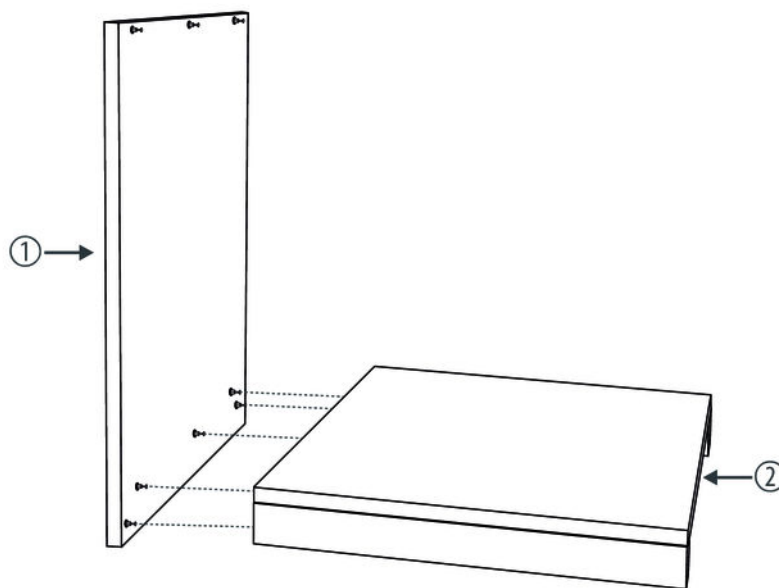
Press the locating pins in the designated blind holes in the floor panel and the side panels.

Base mounting

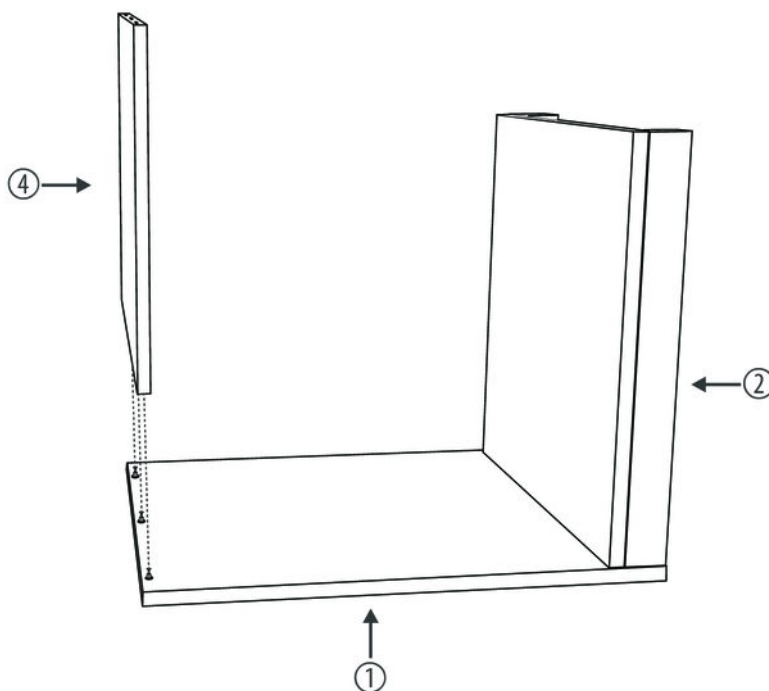


1. Place the floor panel onto a suitable mounting surface. Use a soft padding to avoid damage to the surface of the panel.
2. Set both bases onto each two locating pins. Ensure that the barrel nuts are positioned so that the locating pins can be latched.
3. Tighten the barrel nuts with a screwdriver hand tight (clockwise rotation).
4. Check both sockets for firm seating and turn the pre-assembled unit around.

Side and cover panel mounting

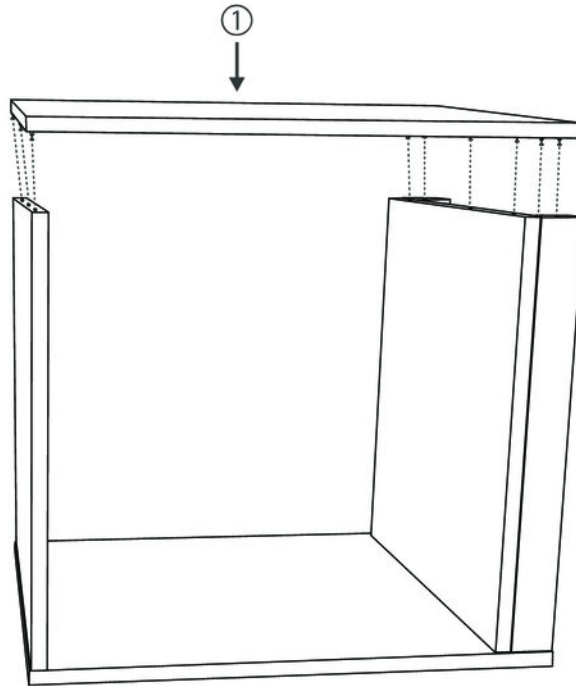


1. First push a side panel on the locating pins of the floor panel. Ensure that the barrel nuts are positioned so that the locating pins can be latched.
2. Tighten the barrel nuts with a screwdriver hand tight (clockwise rotation).
3. Check the assembled side panel for firm seating and place the pre-assembled on the side panel. Use a soft padding to avoid damage to the surface of the panel.



4. Put the cover panel with the locating pins onto the lying side panel. Ensure that the barrel nuts are positioned so that the locating pins can be latched.

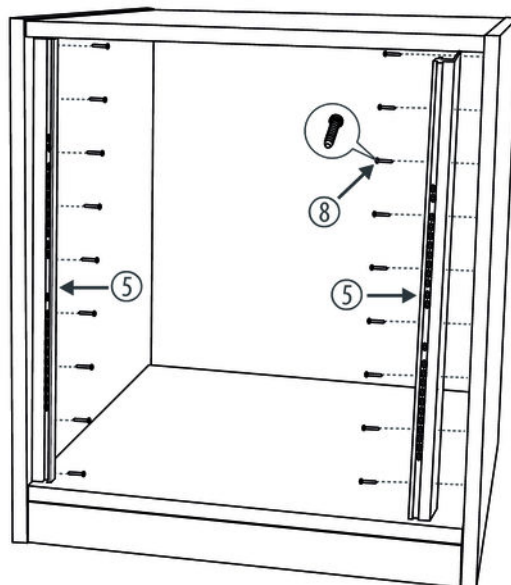
- 5.** ➤ Tighten the barrel nuts with a screwdriver hand tight (clockwise rotation).



- 6.** ➤ Put the second side panel on the locating pins of the floor and cover panel. Ensure that the barrel nuts are positioned so that the locating pins can be latched.
- 7.** ➤ Tighten the barrel nuts with a screwdriver hand tight (clockwise rotation).

Rack rail mounting

Then screw both rack rails using the supplied wood screws inside the rack. The mounting position here is depending on the required installation depth. If desired, leave enough space on the front edge for the subsequent installation of a door (not included).



8

wood screws.

4 Technical specifications

Artnr. 372363 Thon Studio Rack 10U 50

Item no.	372363
Rack units	10
Installation depth	max. 495 mm
Dimensions (W × H × D)	540 mm × 545 mm × 500 mm
Weight	approx. 16.3 kg

Artnr. 372110 Thon Studio Rack 12U 50

Item no.	372110
Rack units	12
Installation depth	max. 495 mm
Dimensions (W × H × D)	540 mm × 635 mm × 500 mm
Weight	approx. 17.6 kg

Artnr. 372118 Thon Studio Rack 14U 50

Item no.	372118
Rack units	14
Installation depth	max. 495 mm
Dimensions (W × H × D)	540 mm × 725 mm × 500 mm
Weight	approx. 18.9 kg

Artnr. 372123 Thon Studio Rack 16U 50

Item no.	372123
Rack units	16
Installation depth	max. 495 mm
Dimensions (W × H × D)	540 mm × 815 mm × 500 mm
Weight	approx. 20.9 kg

Artnr. 372126 Thon Studio Rack 18U 50

Item no.	372126
Rack units	18
Installation depth	max. 495 mm
Dimensions (W × H × D)	540 mm × 905 mm × 500 mm
Weight	approx. 22 kg

Artnr. 372155 Thon Studio Rack 20U 50

Item no.	372155
Rack units	20
Installation depth	max. 495 mm
Dimensions (W × H × D)	540 mm × 995 mm × 500 mm
Weight	approx. 17.6 kg

Made in Germany.

5 Protecting the environment

Disposal of the packaging material



For the transport and protective packaging, environmentally friendly materials have been chosen that can be supplied to normal recycling.

Ensure that plastic bags, packaging, etc. are properly disposed of.

Do not just dispose of these materials with your normal household waste, but make sure that they are collected for recycling. Please follow the notes and markings on the packaging.

