

Owner's Manual

# the box speaker

## Intended use

This loudspeaker is exclusively meant for the reproduction of audio signals according to instructions and specifications given in this manual. We're not liable for any damage caused by unintended use.

## Safety instructions

For your own safety you must read through this chapter *at first completely!*



- The speaker may only be operated after installation inside a suitable speaker box.
- Never submerge the speaker in water.
- Do not expose the device to rain and never use it in a damp or wet environment. This speaker was developed for indoor use only. Do not use it outdoors.
- Do not place the device in locations that are subject to high temperatures, direct sunlight, or excessive dust.
- Never operate the speaker in the vicinity of heat sources such as cookers, heating elements or other heat producing installations.
- Keep children away from the speaker. Children frequently underestimate the dangers of electrical devices.
- Keep sufficient distance from the speaker when operated with high volume level. Listening to music with high sound pressure level may cause permanent damage to your hearing!



## Disposal

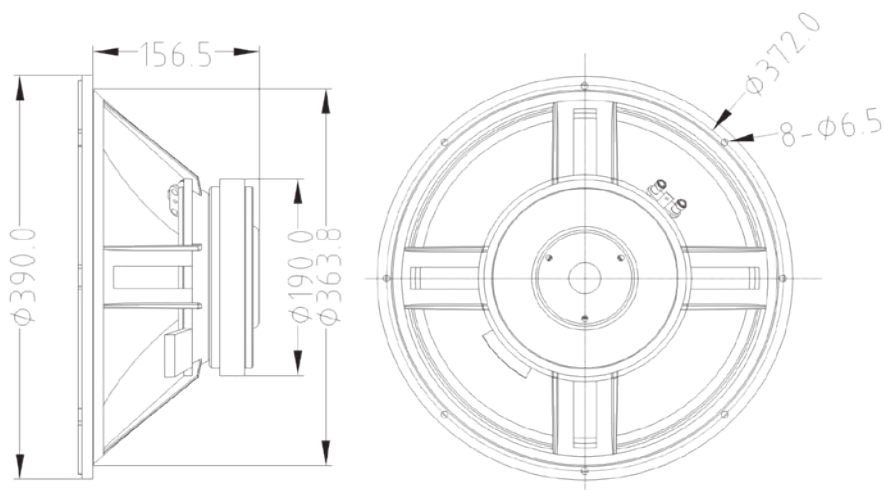
**Never throw the device into the regular household waste at the end of its useful life. This product is subject to the European Directive 2002/96/EC.**



- Dispose of the device through an approved disposal centre or at your community waste facility.
- Observe the current existing regulations. In case of doubt contact your disposal facility.
- The packaging is certified via a dual system. Take all packaging materials to an environmentally friendly disposal facility in compliance with the local regulations.



## Dimensions



## Technical specifications

Diameter .....	: 15" (380 mm)
Impedance .....	: 8 $\Omega$
Rated power .....	: 300 W RMS
Peak power .....	: 1200 W
Sensitivity (1W/1m) .....	: 95 dB $\pm$ 2 dB
Min. resonance frequency .....	: 50 Hz $\pm$ 5 Hz
Frequency response .....	: 50 Hz – 4.0 kHz
Diameter of voice coil .....	: 75.5 mm
Material of voice coil .....	: flat copper wire
Framework material of voice coil ..	: Kapton <sup>®</sup>
Height of voice coil .....	: 16 mm
Depth of magnet .....	: 10 mm
Flux density .....	: 1.0 T

Our products are subject to a process of continual further development. Therefore modifications to the technical features remain subject to change without further notice.

# Diagrams

